

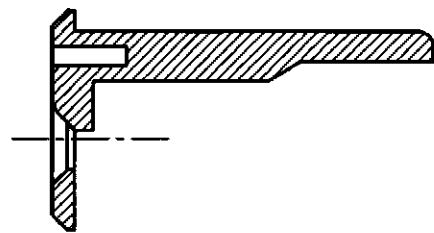
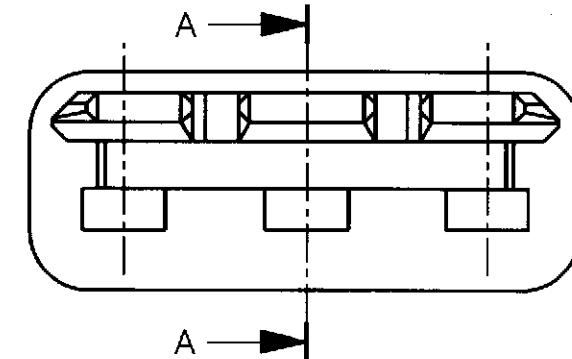
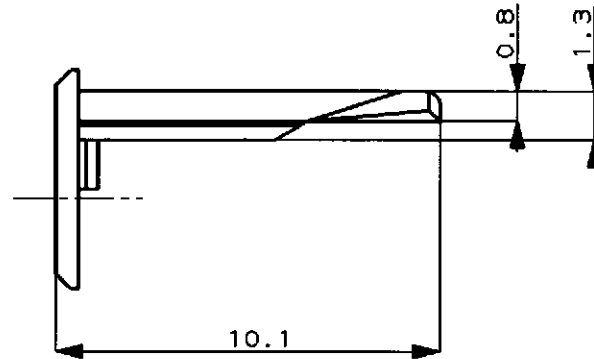
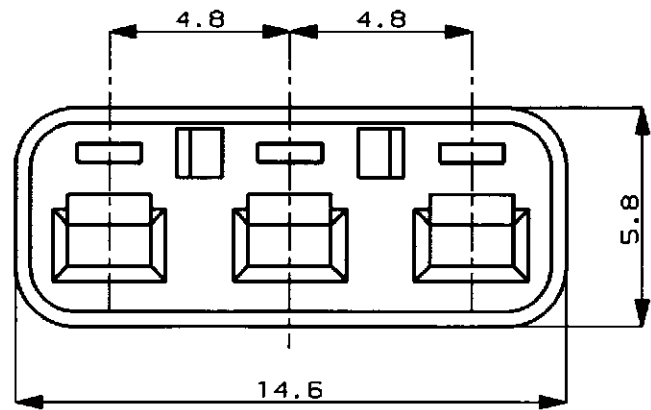
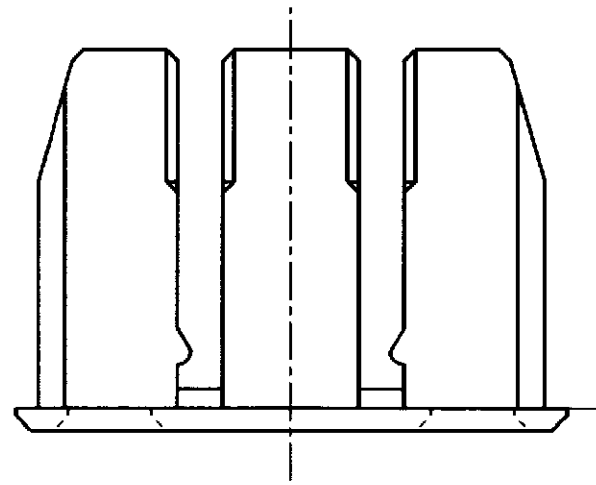
NUMBER C-174358



METRIC

DIMENSIONS IN MILLIMETERS. DO NOT SCALE PRINT

PRINT DIST



SECTION  
断面 A-A

注 ;

- 1 本品はプラグハウジングP/N174357に装着される

NOTE ;

- 1 TO BE MATED WITH PLUG HOUSING (P/N174357)

PBT	(NATURAL) 自然色	1-174358-1
PBT (難燃材) UL94V-2	(YELLOW) 黄	174358-7
MATERIAL 材料	HOUSING COLOR ハウジング色	P/N

© 19 BY AMP (Japan) LTD.  
ALL RIGHTS RESERVED.  
AMP PRODUCTS COVERED BY PATENTS  
AND OR PATENTS PENDING

**AMP** AMP (JAPAN), LTD.  
Tokyo, Japan

C	CHANGE LETTERS HEIGHT	FJ00-0599-98	KS	57	8/27
B	ADDED 追加	1- -1 3794-95	MT	AT	12/12 '95
A	変更 REVISED	(J-10812)	KO	YM	5/29 '89
O	作成 RELEASED	(J-10009)	KO	YM	8/24 '87
LTR	REVISION RECORD		DR	CHK	DATE

WIRE RANGE mm <sup>2</sup> (AWG)	INSULATION DIA mmφ	NAME
MATERIAL SEE TABLE 表参照	COLOR SEE TABLE 表参照	GENERAL TOLERANCE
DR. K. Oda 8/19'87	DE. K. Oda 8/19'87	0 <≦ 10 : ±0.2 10 <≦ 30 : ±0.25 30 <≦ 100 : ±0.3 ANGLES : ±3°
CHK. M. Matsuzaki 8/24'87	APP. M. Nozuchi 8/25'87	SIZE LOC NUMBER A3 J C-174358
		SCALE 5:1 REV. C SHEET 1 OF 1

3P. ECONOSEAL J-MARK II <sup>+</sup> CONNECTOR 3極 エコノシール J マーク II <sup>+</sup> DOUBLE LOCK PLATE FOR PLUG HOUSING プラグ用ダブルロックプレート		
GENERAL TOLERANCE	SIZE LOC NUMBER	
0 <≦ 10 : ±0.2 10 <≦ 30 : ±0.25 30 <≦ 100 : ±0.3 ANGLES : ±3°	A3 J C-174358	
SCALE 5:1	REV. C	SHEET 1 OF 1